

Multi Unit - Abutments

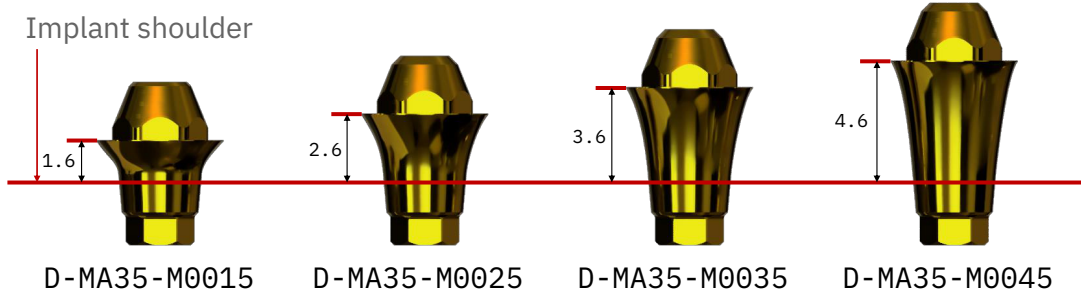
Angulation 0°

| SKU | Included Screw |
|--------------|----------------|
| D-MA35-M0015 | MT0-D2T5-60 |
| D-MA35-M0025 | MT0-D2T5-60 |
| D-MA35-M0035 | MT0-D2T5-60 |
| D-MA35-M0045 | MT0-D2T5-60 |



$\tau = 15 \text{ N cm}$

MT0-D2T5-60



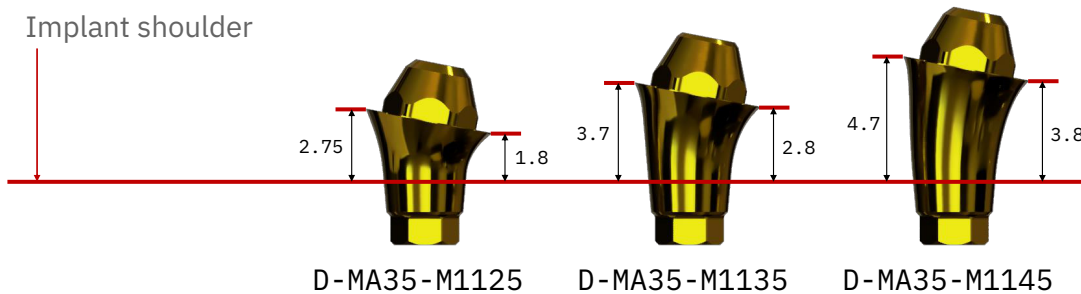
Angulation 11°

| SKU | Included Screw |
|--------------|----------------|
| D-MA35-M1125 | MT0-D2T5-60 |
| D-MA35-M1135 | MT0-D2T5-60 |
| D-MA35-M1145 | MT0-D2T5-60 |



$\tau = 15 \text{ N cm}$

MT0-D2T5-60



Multi Unit - Abutments

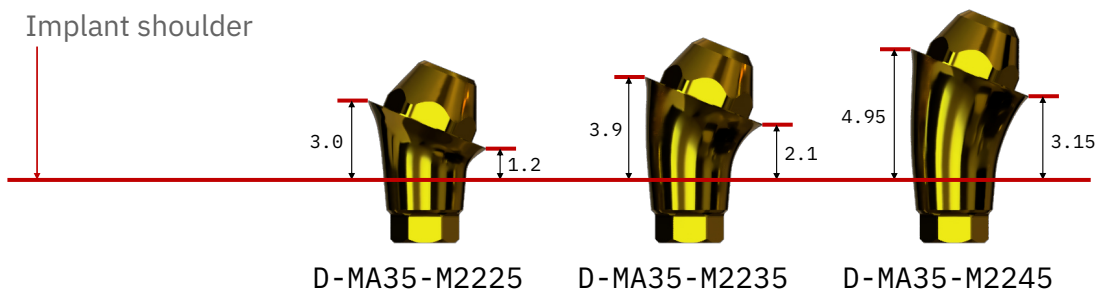
Angulation 22°

| SKU | Included Screw |
|--------------|----------------|
| D-MA35-M2225 | MT0-D2T5-60 |
| D-MA35-M2235 | MT0-D2T5-60 |
| D-MA35-M2245 | MT0-D2T5-60 |



$\tau = 15 \text{ N cm}$

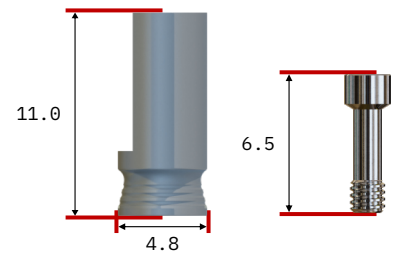
MT0-D2T5-60



Components

Scanbody

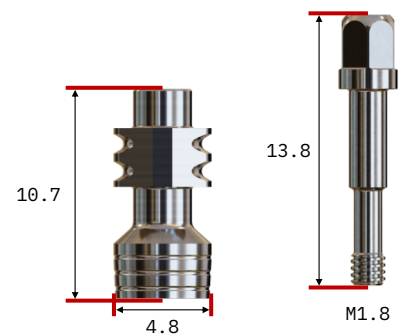
| SKU | Included Screw |
|---------|----------------|
| MT0-MSB | MT0-S18T5-SB65 |



MT0-MSB 1-MT0-S18T5-SB65

Impression Coping

| SKU | Included Screw |
|----------|----------------|
| MT0-MICT | MT0-S18T5-138 |



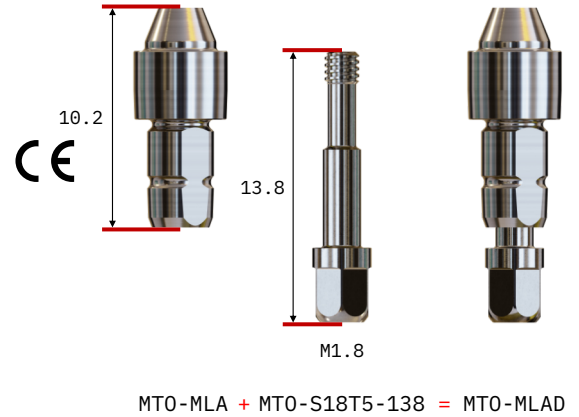
MT0-MICT MT0-S18T5-138

MUA - Portfolio

Components

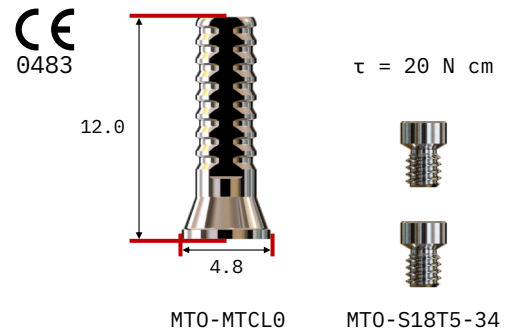
Lab Analog

| SKU | | Included Screw |
|----------|---------|----------------|
| MT0-MLA | Analog | |
| MT0-MLAD | Digital | MT0-S18T5-138 |



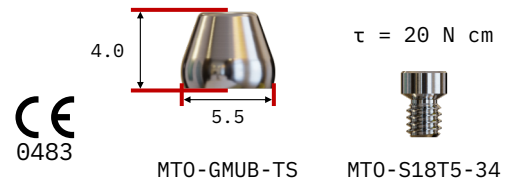
Temporary Cylinder

| SKU | Included Screw |
|-----------|-----------------|
| MT0-MTCL0 | MT0-S18T5-34 x2 |



Gingivaformer

| SKU | Included Screw |
|-------------|----------------|
| MT0-GMUB-TS | MT0-S18T5-34 |



ZrGen

| SKU | Included Screw |
|---------------------|----------------|
| MT0-ZRGEN-0480-H043 | MT0-S18T5-34 |
| MT0-ZRGEN-0555-H043 | MT0-S18T5-34 |
| MT0-ZRGEN-0555-H105 | MT0-S18T5-34 |



MUA - Portfolio

Components

Screws

SKU

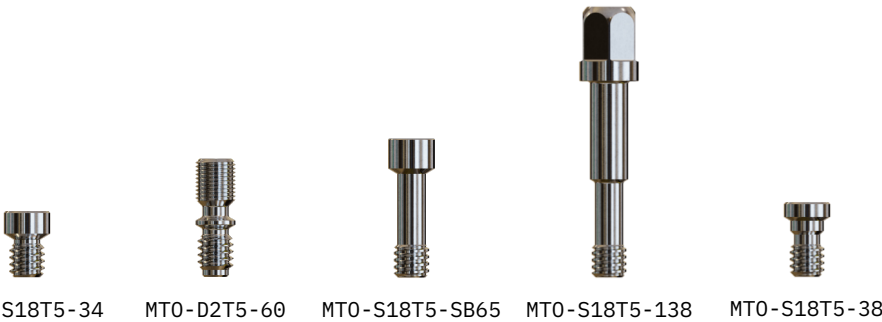
MT0-S18T5-34 Standard Component Screw

MT0-D2T5-60 Double Pitch Screw

MT0-S18T5-SB65 For MT0-MSB

MT0-S18T5-138 For MT0-MICT & MT0-MLAD

MT0-S18T5-38 For Ceramics directly on MUA



Screwdrivers

SKU

MT0-DIT5-FW-BOX

MT0-DIT5-10-BOX

MT0-DT-BOX

MT0-DIT5-10C-BOX

